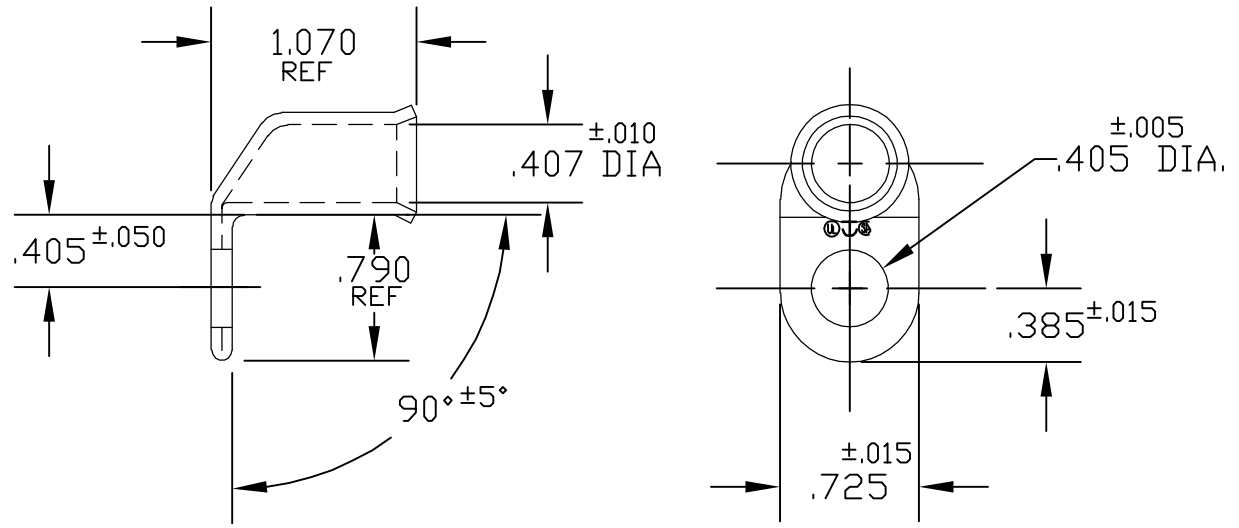


THIS DRAWING IS UNPUBLISHED. RELEASED FOR PUBLICATION
 © COPYRIGHT - BY TYCO ELECTRONICS CORPORATION. ALL RIGHTS RESERVED.

LOC	DIST	REVISIONS					
		P	LTR	DESCRIPTION	DATE	DWN	APVD
G	50		A1	REVISED PER ECR-06-010774	05MAY06	HMR	JR



ACTIVE	10381-09-90	STANDARD	TIN PLATE	1526707-2
ACTIVE	10381-08-90	STANDARD	PLAIN	1526707-1
STATUS	AET P/N	PACKAGING	FINISH	PART NUMBER

THIS DRAWING IS A CONTROLLED DOCUMENT.		DWN D.A.A 9/19/00	Tyco Electronics Corporation Harrisburg, PA 17105-3608				
DIMENSIONS: INCHES		CHK H.D.F 9/19/00					
		APVD H.D.F 9/19/00	NAME 1/0 STANDARD TERMINAL WITH 90° BEND				
MATERIAL COPPER ASTM B-152		PRODUCT SPEC -	APPLICATION SPEC -	SIZE A3	CAGE CODE 00779	DRAWING NO C-1526707	RESTRICTED TO -
FINISH -		WEIGHT -	CUSTOMER DRAWING		SCALE 1:1	SHEET 1 OF 1	REV A1